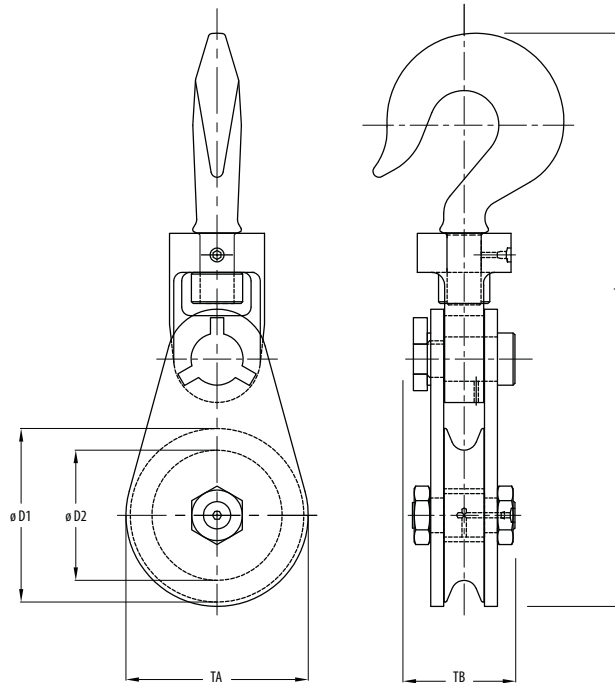


Snatch blocks S series with hook



Model No.	Stock No.	WLL (t)	for wire ød		Dimensions (mm)					Bearing type	Weight (kg)
			mm	inch	Ø D1	Ø D2	TA	TB	TC		
VBI 58.9.1.2.H	12.103.02.14	2	7 - 9	5/32 - 3/8	75	58	82	70	290	BB	4
VBI 90.12.1.4.H	12.104.04.14	4	10 - 12	3/8 - 1/2	115	90	120	70	358	BB	6
VBI 120.19.1.4.H	12.106.04.14	4	16 - 19	5/8 - 3/4	150	120	160	70	432	BB	14
VBI 120.22.1.8.H	12.106.08.14	8	19 - 22	3/4 - 7/8	150	120	160	93	498	RB	15
VBI 165.22.1.8.H	12.108.08.14	8	19 - 22	3/4 - 7/8	200	165	210	93	549	RB	16
VBI 205.26.1.10.H	12.110.10.14	10	24 - 26	1	250	205	260	115	695	RB	38
VBI 205.26.1.12.H	12.110.12.14	12	24 - 26	1	250	205	260	115	701	RB	42
VBI 250.26.1.12.H	12.112.12.14	12	24 - 26	1	300	250	310	133	797	RB	56
VBI 165.24.1.15.H	12.108.15.14	15	22 - 24	7/8 - 15/16	200	165	210	102	672	RB	24
VBI 250.26.1.15.H	12.112.15.14	15	24 - 26	1	300	250	310	133	797	RB	65
VBI 305.32.1.22.H	12.114.22.14	22	28 - 32	1 1/8 - 1 1/4	355	305	365	140	960	RB	90
VBI 350.32.1.22.H	12.116.22.14	22	28 - 32	1 1/8 - 1 1/4	405	350	415	140	1027	RB	108
VBI 395.32.1.22.H	12.118.22.14	22	28 - 32	1 1/8 - 1 1/4	450	395	465	180	1058	RB	120
VBI 250.30.1.30.H	12.112.30.14	30	28 - 30	1 1/8 - 1 3/16	300	250	310	193	993	RB	125
VBI 350.35.1.30.H	12.116.30.14	30	32 - 35	1 1/4 - 1 3/8	405	350	415	155	1121	RB	135
VBI 440.35.1.30.H	12.120.30.14	30	32 - 35	1 1/4 - 1 3/8	508	440	514	162	1177	RB	210
VBI 305.35.1.35.H	12.114.35.14	35	32 - 35	1 1/4 - 1 3/8	350	280	365	193	1028	RB	130
VBI 500.52.1.50.H	12.124.50.14	50	46 - 50	1 13/16 - 2	600	500	625	275	1495	RB	418

Minimum Ultimate Strength = 4 x WLL.

WLL= Working Load Limit on head fitting.
 RB= Roller bearing.
 BB= Bronze bushing.