

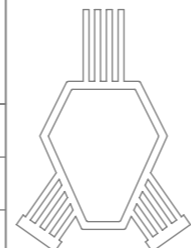
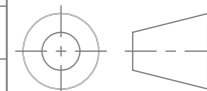
C.O.G. ±145 [5 1/16]

DIN 15401
RSN 8 V
XXX-XXXX
y1-146
CE

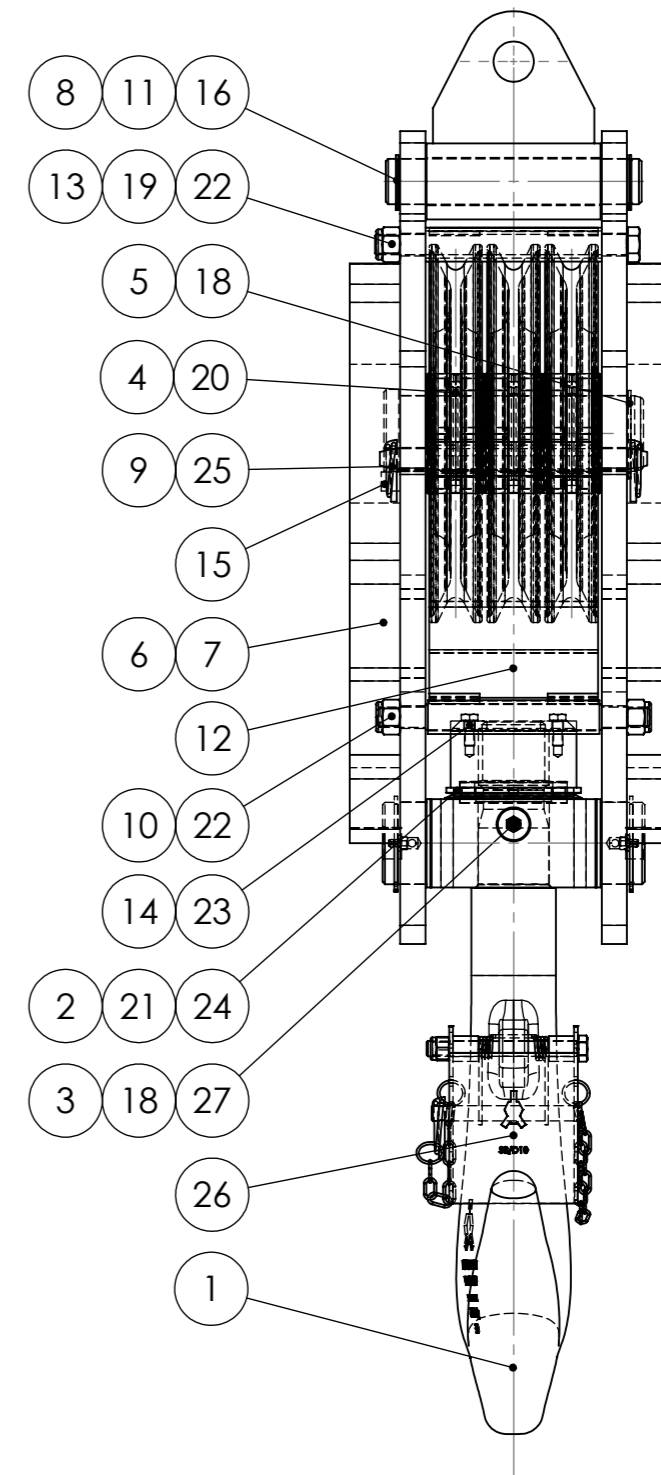
Tolerancing NEN 2731(E) GPS - geometrical tolerancing acc. ISO 1101
Tolerances acc. ISO 2768-mK-(E) / ISO 13920-AE Limits and fits acc. ISO 286
Surface texture acc. ISO 1302

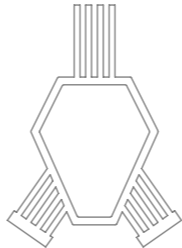
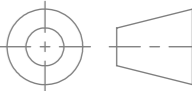
Title: CRANEBLOCK WLL 25 Mtons [27,5 UStons]

Ropeblock code:	FRB 260.14.3.25.E	SWL/WLL:	25 Mtons [27,5 Ustons]
Customer ID:	-	Dynamic factor:	-
Wire rope:	ø 14 mm [9/16"]	Load group:	1Bm DIN 15400
Hook size:	8V acc. DIN 15401	Design Acc.:	RB Standard, S.F. 4:1
Target weight:	± 210 kg [± 465 lbs]	Personnel lift SWL/WLL:	-

 <p>ROPEBLOCK P.O. BOX 391 7570 AJ OLDENZAAL THE NETHERLANDS TEL: (+31)541-532300 FAX: (+31)541-522617 www.ropelock.com</p>	Drawn: LD	Date: 26-05-11	Projection: 
	Checked:	Material: -	
	Units: mm	Theoretical weight: 199.1 kg	Sheet: 1 / 2
	Format: A3	Treatment: -	Revision:
Scale: 1:6	Drawing Number:	FRB 260.14.3.25.E	00
Rev. Description:	Rev. Date:	Rev. by:	

POS.	QTY.	Drawing Number	Title	Material
1	1	01.8.V.E.132	Single hook nr. 8 V acc. DIN 15401	34CrNiMo6
2	1	02.8.V.81112	HOOKNUT 8V - 81112	34CrNiMo6
3	1	03.70.56.138.23	TRAVERSE KB 285.13.3.25	S355J2N
4	3	04G.260.5012.7.5	SHEAVE 260/60 R7,5 - MACHINING	GGG 50
5	1	05K.60.182	SHAFT ø60 KB 285.13.3.25	34CrNiMo6
6	2	06.260.20.25	CHEEKPLATE FRB 260.14.3.25	S355J2N
7	2	07R.260.40.25	CHEEKWEIGHT FRB 260.14.3.25	S235J0
8	1	11.60.138.28.32	BECKET KB 354.16.1.16	S355J2N
9	2	12A.16.212	BAR KB 352.16.1.16	AISI 304
10	2	14.20.140.216	HINGEBAR KB 352.16.1.16	S355J0
11	1	15.36.203	BECKETPIN KB 285.13.3.25	C35
12	2	18.260.140	REEVEGUIDE FRB 260.14.3.25	S235J0
13	1	19.180.140	TOPPLATE FRB 260.14.3.25	S235J0
14	1	21.100.25.8	RETAINER 100x25x8	S235J0
15	1	41.15.15.40	NOTCH 15x15x40mm	S235J0
16	2	50.36.2	CIRCLIP 36 A - DIN 471	Steel
18	1	50.60.2	CIRCLIP 60 A - DIN 471	Steel
18	2	50.65.3	CIRCLIP 65 A - DIN 471	Steel
19	2	51.EV.16.200	BOLT M16x200 - DIN 931	8.8
20	3	54.5012PP	Bearing SL04 5012 PP	Steel
21	1	54.81112	Bearing 81112	Steel
22	6	55.EV.16	Nyloc Nut M16 - DIN 985	8.8
23	2	56.EV.08.20	BOLT M8x20 - DIN 933	8.8
24	1	61.95A	Dirtseal 95A	NBR
25	4	63.4	Safety pin ø4	Steel
26	1	64.8.E.B	Heavy duty safety latch kit for S8/D10 - DIN 15401/2	Acc. Spec.
27	3	66.10.01	Lubrication nipple M10x1 - DIN 71412	Steel



Tolerancing NEN 2731(E) Tolerances acc. ISO 2768-mK-(E) / ISO 13920-AE		GPS - geometrical tolerancing acc. ISO 1101 Limits and fits acc. ISO 286		Surface texture acc. ISO 1302	
Title: CRANEBLOCK WLL 25 Mtons [27,5 UStons]					
 <p>ROPEBLOCK P.O. BOX 391 7570 AJ OLDENZAAL THE NETHERLANDS TEL: (+31)541-532300 FAX: (+31)541-522617 www.ropelock.com</p>	Drawn: LD	Date: 26-05-11	Projection: 		
	Checked:	Material: -			
	Units: mm	Weight: 199.1 kg	Sheet: 2 / 2		
	Format: A3	Treatment: -			
Scale: 1:6	Drawing Number:	Revision:		00	
Rev. Description:	Rev. Date:	Rev. by:	FRB 260.14.3.25.E		