

Tolerancing NEN 2731(E) GPS - geometrical tolerancing acc. ISO 1101
 Tolerances acc. ISO 2768-mK-(E) / ISO 13920-AE Limits and fits acc. ISO 286
 Surface texture acc. ISO 1302

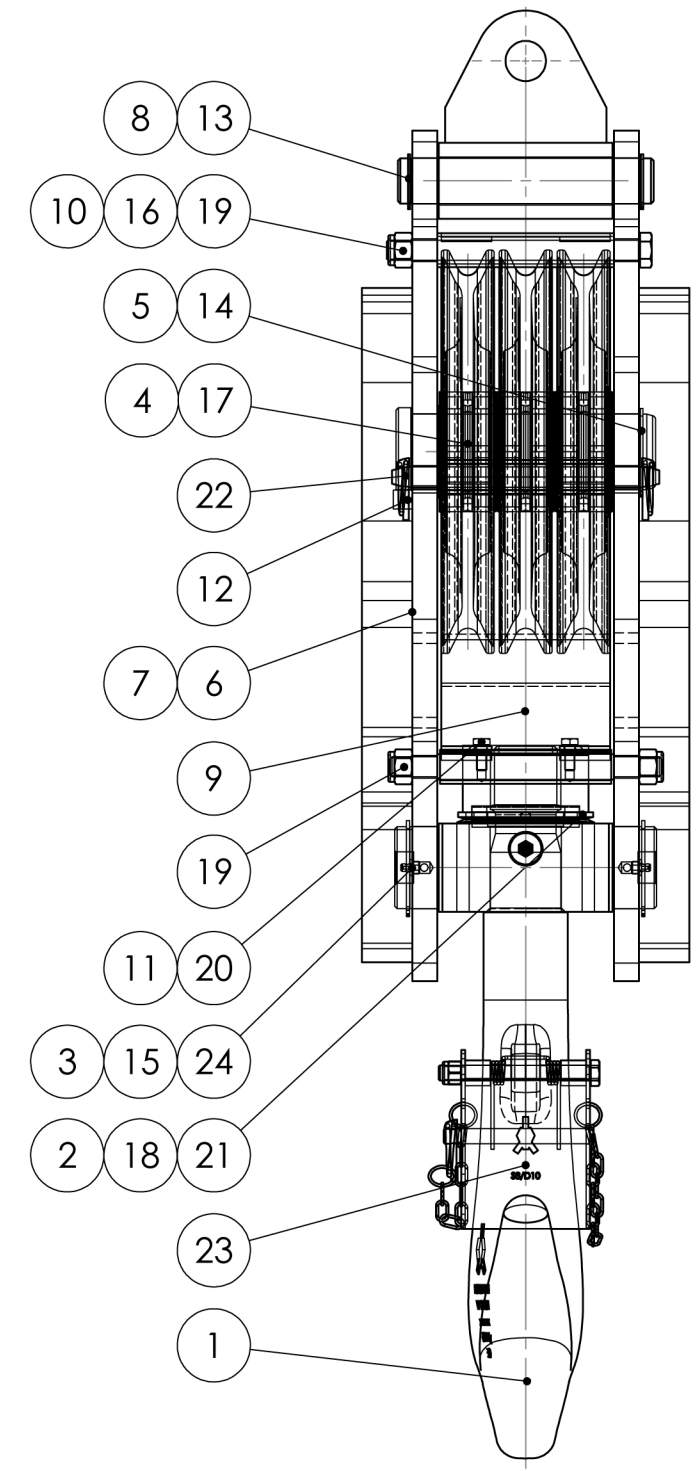
Title:
CRANEBLOCK WLL 29 Mtons [32 UStons]

Rev. Description:	Drawn: LD	Date: 10-02-11	Projection:
	Checked:	Material: -	
	Units: mm	Theoretical weight: 217.2 kg	Sheet: 1 / 2
	Format: A3	Treatment: -	
Scale: 1:6	Drawing Number:	Revision: 00	
Rev. Date:	Rev. by:		

Ropeblock code:	FRB 285.16.3.29.E	SWL/WLL:	29 Mtons [32 Ustons]
Customer ID:	-	Dynamic factor:	-
Wire rope:	ø 16 mm [5/8"]	Load group:	1Bm DIN 15400
Hook size:	8V acc. DIN 15401	Design Acc.:	RB Standard, S.F. 4:1
Target weight:	± 210 kg [± 460 lbs]	Personnel lift SWL/WLL:	-

THIS DOCUMENT AND ALL INFORMATION AND DATA DISCLOSED HEREIN OR HEREWITH ARE THE CONFIDENTIAL AND PROPRIETARY PROPERTY OF ROPEBLOCK AND ARE NOT TO BE USED, REPRODUCED OR DISCLOSED IN WHOLE OR IN PART BY OR TO ANYONE WITHOUT THE WRITTEN PERMISSION OF ROPEBLOCK.

POS.	QTY.	Drawing Number	Title	Material
1	1	01.8.V.E.132	Single hook nr. 8 V acc. DIN 15401	34CrNiMo6
2	1	02.8.V.81112	HOOKNUT 8V - 81112	34CrNiMo6
3	1	03.70.56.138.23.B	TRAVERSE KB 285.16.3.29	S355J2N
4	3	04G.280.5012.8,5	SHEAVE 280/60 R8,5 - MACHINING	GGG 50
5	1	05K.60.182	SHAFT ø60 KB 285.13.3.25	34CrNiMo6
6	2	06.285.20.29	CHEEKPLATE FRB 285.16.3.29	S355J2N
7	2	07R.285.40.29	CHEEKWEIGHT FRB 285.16.3.29	S235J0
8	1	11.60.138.28.32	BECKET KB 354.16.1.16	S355J2N
9	2	18.285.140.B	REEVEGUIDE HB 285.13.1.10.B	S235J0
10	1	19.200.140	TOPPLATE HB 320.16.3.32	S235J0
11	1	21.100.25.8	RETAINER 100x25x8	S235J0
12	1	41.15.15.40	NOTCH 15x15x40mm	S235J0
13	2	50.36.2	CIRCLIP 36 A - DIN 471	Steel
14	1	50.60.2	CIRCLIP 60 A - DIN 471	Steel
15	2	50.65.3	CIRCLIP 65 A - DIN 471	Steel
16	2	51.EV.16.200	BOLT M16x200 - DIN 931	8.8
17	3	54.5012PP	Bearing SL04 5012 PP	Steel
18	1	54.81112	Bearing 81112	Steel
19	6	55.EV.16	Nyloc Nut M16 - DIN 985	8.8
20	2	56.EV.08.20	BOLT M8x20 - DIN 933	8.8
21	1	61.95A	Dirtseal 95A	NBR
22	4	63.4	Safety pin ø4	Steel
23	1	64.8.E.B	Heavy duty safety latch kit for S8/D10 - DIN 15401/2	Acc. Spec.
24	3	66.10.01	Lubrication nipple M10x1 - DIN 71412	Steel
25	2	12A.16.212	BAR KB 352.16.1.16	AISI 304
26	2	14.20.140.216	HINGEBAR KB 352.16.1.16	S355J0
27	1	15.36.203	BECKETPIN KB 285.13.3.25	C35



Tolerancing NEN 2731 (E) Tolerances acc. ISO 2768-mK-(E) / ISO 13920-AE		GPS - geometrical tolerancing acc. ISO 1101 Limits and fits acc. ISO 286		Surface texture acc. ISO 1302	
Title: CRANEBLOCK WLL 29 Mtons [32 UStons]					
Drawn: LD		Date: 10-02-11		Projection:	
Checked:		Material: -		Sheet: 2 / 2	
Units: mm		Weight: 217.2 kg			
Format: A3		Treatment: -		Revision: 00	
Scale: 1:6		Drawing Number: FRB 285.16.3.29.E			
Rev. Description:		Rev. Date:	Rev. by:		