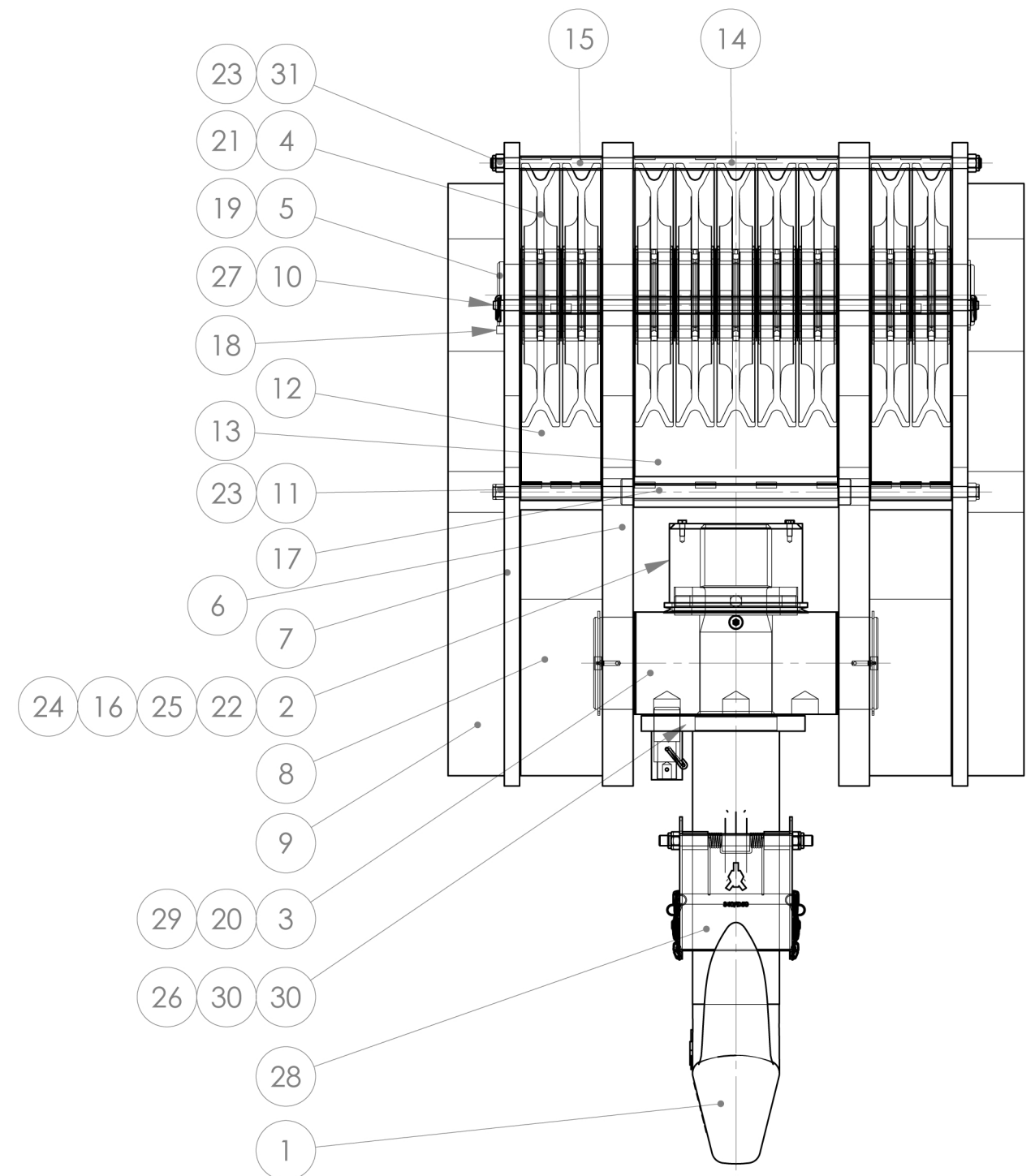


Tolerancing NEN 2731 (E) Tolerances acc. ISO 2768-mK-(E) / ISO 13920-AE		GPS - geometrical tolerancing acc. ISO 1101 Limits and fits acc. ISO 286		Surface texture acc. ISO 1302	
Title: <b>CRANEBLOCK WLL 200 Mtons [220 UStons]</b>					
Rev. Description:		Drawn: RK	Date: 02-05-11	Projection: 	
		Checked:	Material: -	Theoretical weight: 3438.2 kg	
		Units: mm	Treatment: -	Sheet: 1 / 2	
		Format: A3	Scale: 1:12	Drawing Number:	
		Rev. Date:	Rev. by:	Revision: <b>00</b>	
		<b>R111386-3</b>			

Ropeblock code:	FRB 450.22.9.200.D	SWL/WLL:	200 Mtons [220 UStons]
Customer ID:	-	Dynamic factor:	-
Wire rope:	ø22 mm [7/8"]	Load group:	1Bm DIN 15400
Hook size:	50V DIN 15402	Design Acc.:	RB standard, S.F. 4:1
Target weight:	3505 kg [7710 lbs]	Personnel lift SWL/WLL:	-

POS.	QTY.	Drawing Number	Title	Material
1	1	R084710.01	Double hook nr. 50 V acc. DIN 15402	30CrNiMo8
2	1	02.50.T.81234	HOOKNUT 50T - 81234	34CrNiMo6
3	1	R084710.03	TRAVERSE SUSPENSION 200t	S355J2N
4	9	04G.450.5024.12	SHEAVE 450/120 R12 - MACHINING	GGG 50
5	1	R111386-3.05	SHAFT ø120 FRB 450.22.9.200	30CrNiMo8
6	2	R111386-3.06	CHEEKPLATE FRB 450.22.9.200	S355J2N
7	2	R111386-3.06B	CHEEKPLATE FRB 450.22.9.200	S355J2N
8	2	R111386-3.07R	CHEEKWEIGHT FRB 450.22.9.200	S355J2N
9	2	R111386-3.07BR	CHEEKWEIGHT FRB 450.22.9.200	S235J0
10	2	R111386-3.12	STUD FRB 450.22.9.200	AISI 304
11	2	14.25.402.952	HINGEBAR KB 528.24.9.200	S355J0
12	4	18.450.162	REEVEGUIDE KB 450.19.9.120	S235J0
13	2	18.450.402	REEVEGUIDE KB 450.19.3.50	S235J0
14	1	19.280.402	TOPPLATE KB 528.24.11.200	S235J0
15	2	R050545.19	TOPPLATE KB 528.28.1.24	S235J0
16	1	21.260.30.10	RETAINER 260x30x10	S235J0
17	2	25.60.450	PROTECTOR-SHAFT KB 400.18.9.125	C22
18	1	41.15.15.40	NOTCH 15x15x40mm	S235J0
19	1	50.120.4	CIRCLIP 120 A - DIN 471	Steel
20	2	50.180.4	CIRCLIP 180 A - DIN 471	Steel
21	9	54.5024PP	Bearing SL04 5024-PP	Steel
22	1	54.81234	Bearing 81234	Steel
23	8	55.EV.20	Nyloc Nut M20 - DIN 985	8.8
24	2	56.EV.10.25	BOLT M10x25 - DIN 933	8.8
25	1	61.250A	Dirtseal 250A	NBR
26	1	63.4,5.HS	HAIRPINSRING ø4,5	AISI 304
27	4	63.6	Safety pin ø6	Galvanized Steel
28	2	64.40.E.B	Heavy duty safety latch kit for S40/D50 - DIN 15401/2	Acc. Spec.
29	3	66.10.01	Lubrication nipple M10x1 - DIN 71412	Steel
30	1	R084710.LV	LOCKING PLATE	-
	1	R084710.34	LOCKING PLATE HOOK 50	S355J2N
	1	33.50.40.60	LOCKING GEAR FRB 528.28.7.200	
	1	33.50.40.60-01	PIN	S355J2N
	1	33.50.40.60-02	CASING	S235J0
31	2	R111386-3.13	BAR KB 450.22.9.200	S355J0



Tolerancing NEN 2731 (E) Tolerances acc. ISO 2768-mK-(E) / ISO 13920-AE		GPS - geometrical tolerancing acc. ISO 1101 Limits and fits acc. ISO 286		Surface texture acc. ISO 1302	
<b>Title:</b> <b>CRANEBLOCK WLL 200 Mtons [220 UStons]</b>					
Drawn: RK		Date: 02-05-11		Projection:	
Checked:		Material: -			
Units: mm		Weight: 3438.2 kg			
Format: A3		Treatment: -		Sheet: 2 / 2	
Scale: 1:12		Drawing Number:		Revision:	
Rev. Description:		Rev. Date:		Rev. by:	
				<b>R111386-3</b>	
				<b>00</b>	