

Tolerancing NEN 2731(E)
 Tolerances acc. ISO 2768-mK-(E) / ISO 13920-AE

GPS - geometrical tolerancing acc. ISO 1101
 Limits and fits acc. ISO 286

Surface texture acc. ISO 1302

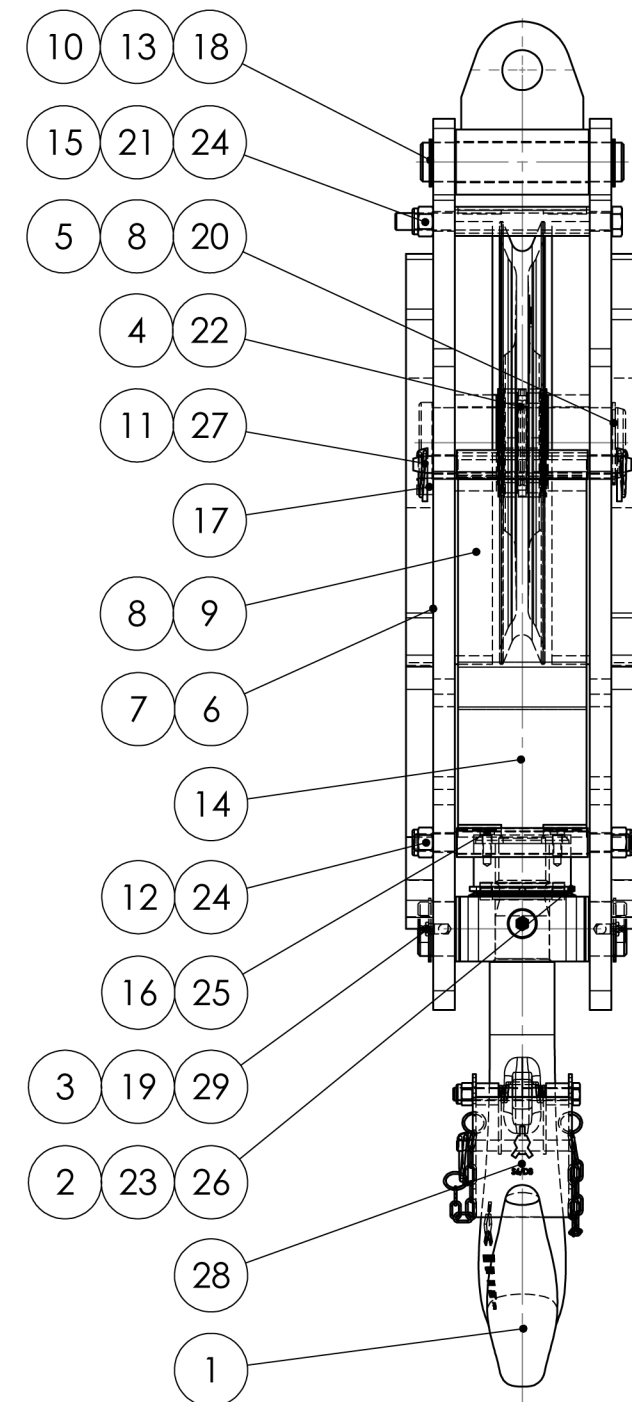
Title:
CRANEBLOCK WLL 16 Mtons [17,5 UStons]

Drawn: LD	Date: 11-02-11	Projection:
Checked: JE	Material: -	
Units: mm	Theoretical weight: 226.9 kg	Sheet: 1 / 2
Format: A3	Treatment: -	
Scale: 1:6	Drawing Number:	Revision: 00
Rev. Description:	Rev. Date: Rev. by:	

Ropeblock code:	FRB 355.19.1.16.E.B	SWL/WLL:	16 Mtons [17,5 UStons]
Customer ID:	-	Dynamic factor:	-
Wire rope:	ø 19 mm [3/4"]	Load group:	1Bm DIN 15400
Hook size:	6P acc. DIN 15401	Design Acc.:	RB Standard, S.F. 4:1
Target weight:	± 225 kg [± 500 lbs]	Personnel lift SWL/WLL:	-

THIS DOCUMENT AND ALL INFORMATION AND DATA DISCLOSED HEREIN OR HEREWITH ARE THE CONFIDENTIAL AND PROPRIETARY PROPERTY OF ROPEBLOCK AND ARE NOT TO BE USED, REPRODUCED OR DISCLOSED IN WHOLE OR IN PART BY OR TO ANYONE WITHOUT THE WRITTEN PERMISSION OF ROPEBLOCK.

POS.	QTY.	Drawing Number	Title	Material
1	1	01.6.P.E.117.C	Single hook nr. 6 P acc. DIN 15401	StE 355
2	1	02.6.P.81111	HOOKNUT 6P - 81111	S355J2N
3	1	03.60.50.123.23	TRAVERSE FRB 260.14.1.16.E	S355J2N
4	1	04G.355.5013.10	SHEAVE 355/65 R10 - MACHINING	GGG 50
5	1	05K.65.167	SHAFT ø65 FRB 355.19.1.16.E.A	34CrNiMo6
6	2	06.355.20.16.B	CHEEKPLATE KB 355.19.1.16	S355J2N
7	2	07R.355.25.16.B	CHEEKWEIGHT FRB 355.19.1.16	S235J0
8	2	09.90.11.38,5	POS.RING FRB 355.19.1.16	S235J0
9	2	10.410.35.8	SPACERRING FRB 355.19.1.16	S235J0
10	1	11.60.123.35.37	BECKET SRB 355.1.16	S355J2N
11	2	12A.16.202	STUD KB 285.13.1.10	AISI 304
12	2	14.20.125.201	HINGEBAR KB 260.13.1.10	S355J0
13	1	15.36.188	BECKETPIN KB 450.19.1.18	C22
14	2	18.355.125	REEVEGUIDE KB 355.16.1.12.B	S235J0
15	1	19.200.125	TOPPLATE KB 260.13.1.10	S235J0
16	1	21.90.25.8	RETAINER 90x25x8	S235J0
17	1	41.15.15.40	NOTCH 15x15x40mm	S235J0
18	2	50.36.2	CIRCLIP 36 A - DIN 471	Steel
19	2	50.50.2	CIRCLIP 50 A - DIN 471	Steel
20	1	50.65.3	CIRCLIP 65 A - DIN 471	Steel
21	2	51.EV.16.200	BOLT M16x200 - DIN 931	8.8
22	1	54.5013PP	Bearing SL04 5013 PP	Steel
23	1	54.81111	Bearing 81111	Steel
24	6	55.EV.16	Nyloc Nut M16 - DIN 985	8.8
25	2	56.EV.08.20	BOLT M8x20 - DIN 933	8.8
26	1	61.85A	Dirtseal 85A	NBR
27	4	63.4	Safety pin ø4	Steel
28	1	64.6.E.B	Heavy duty safety latch kit for S6/D8 - DIN 15401/2	Acc. Spec.
29	3	66.10.01	Lubrication nipple M10x1 - DIN 71412	Steel



Tolerancing NEN 2731 (E) Tolerances acc. ISO 2768-mK-(E) / ISO 13920-AE		GPS - geometrical tolerancing acc. ISO 1101 Limits and fits acc. ISO 286		Surface texture acc. ISO 1302	
Title: CRANEBLOCK WLL 16 Mtons [17,5 UStons]					
Drawn: LD		Date: 11-02-11		Projection: 	
Checked: JE		Material: -		Sheet: 2 / 2	
Units: mm		Weight: 226.9 kg			
Format: A3		Treatment: -		Revision: 00	
Scale: 1:7		Drawing Number: FRB 355.19.1.16.E.B			
Rev. Description:		Rev. Date:	Rev. by:		