

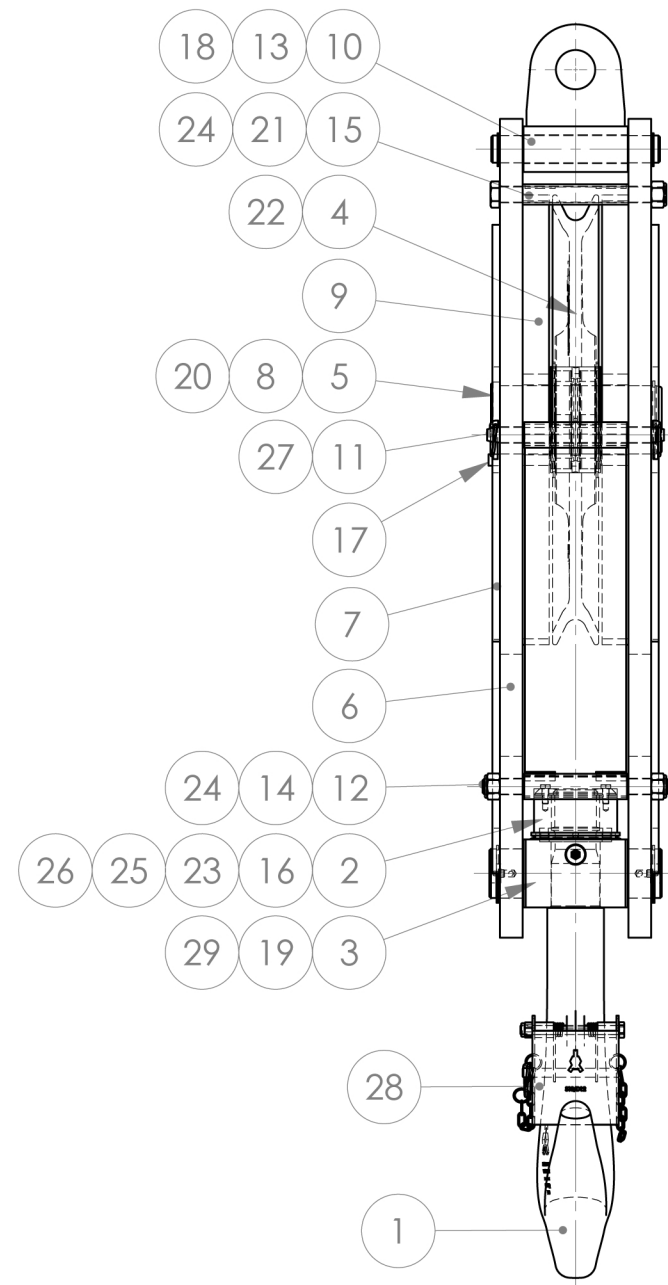
Tolerancing NEN 2731 (E) Tolerances acc. ISO 2768-mK-(E) / ISO 13920-AE	GPS - geometrical tolerancing acc. ISO 1101 Limits and fits acc. ISO 286	Surface texture acc. ISO 1302
--	---	-------------------------------

Title:
CRANEBLOCK WLL 32 Mtons [35 UStons]

Rev. Description:	Drawn: RK	Date: 27-02-12	Projection:
	Checked: RK	Material: -	
	Units: mm	Theoretical weight: 447.1 kg	Sheet: 1 / 2
	Format: A3	Treatment: -	
Scale: 1:10	Drawing Number:	Revision:	
Rev. Date:	Rev. by:	R120594-22	00

Ropeblock code:	FRB 528.26.1.32.E	SWL/WLL:	32 Mtons [35 UStons]
Customer ID:	-	Dynamic factor:	-
Wire rope:	ø26 mm [1"]	Load group:	1Bm DIN 15400
Hook size:	10V DIN 15401	Design Acc.:	RB standard, S.F. 4:1
Target weight:	450 kg [1000 lbs]	Personnel lift SWL/WLL:	-

POS.	QTY.	Drawing Number	Title	Material
1	1	01.10.V.E.157	SINGLE HOOK 10V ACC. DIN 15401	34CrNiMo6
2	1	02.10.V.81114	HOOKNUT 10V - 81114	34CrNiMo6
3	1	03.90.65.138.33	TRAVERSE FRB 285.16.4.35	S355J2N
4	1	04G.528.5018.14	SHEAVE 528/90 R14 - MACHINING	GGG 50
5	1	05K.90.202	SHAFT ø90 KB 528.24.1.30/35	34CrNiMo6
6	2	R100961-1.06	CHEEKPLATE FRB 528.26.1.32	S355J2N
7	2	R120594-22.07R	CHEEKWEIGHT FRB 528.26.1.32	S235J0
8	2	09.120.14.35	POS.RING FRB 450.1.25	S235J0
9	2	R100961-1.10	SPACERINING FRB 528.26.1.32	S235J0
10	1	11.60.138.45.52	BECKET SRB 520.1.32	S355J2N
11	2	12A.20.234	STUD KB 482.21.1.32	AISI 304
12	2	14.25.140.246	HINGEBAR KB 482.21.1.32	S355J0
13	1	15.36.223	BECKETPIN KB 352.16.3.32	C35
14	2	18.529.140	REEVEGUIDE KB 528.24.1.30/35	S235J0
15	1	19.300.140	TOPPLATE KB 352.16.1.16	S235J0
16	1	21.110.25.8	RETAINER 110x25x8	S235J0
17	1	41.15.15.40	NOTCH 15x15x40mm	S235J0
18	2	50.36.2	CIRCLIP 36 A - DIN 471	Steel
19	2	50.65.3	CIRCLIP 65 A - DIN 471	Steel
20	1	50.90.3	CIRCLIP 90 A - DIN 471	Steel
21	2	51.EV.20.220	BOLT M20x220 - DIN 931	8.8
22	1	54.5018PP	Bearing SL04-5018 PP	Steel
23	1	54.81114	Bearing 81114	Steel
24	6	55.EV.20	Nyloc Nut M20 - DIN 985	8.8
25	2	56.EV.08.20	BOLT M8x20 - DIN 933	8.8
26	1	61.100A	Dirtseal 100A	NBR
27	4	63.6	Safety pin ø6	Galvanized Steel
28	1	64.10.E.B	Heavy duty safety latch kit for S10/D12 - DIN 15401/2	Acc. Spec.
29	3	66.10.01	Lubrication nipple M10x1 - DIN 71412	Steel



Tolerancing NEN 2731 (E) Tolerances acc. ISO 2768-mK-(E) / ISO 13920-AE		GPS - geometrical tolerancing acc. ISO 1101 Limits and fits acc. ISO 286		Surface texture acc. ISO 1302	
Title: CRANEBLOCK WLL 32 Mtons [35 UStons]					
Drawn: RK		Date: 27-02-12		Projection: 	
Checked: RK		Material: -		Sheet: 2 / 2	
Units: mm		Weight: 447.1 kg			
Format: A3		Treatment: -		Revision: 00	
Scale: 1:10		Drawing Number: R120594-22			
Rev. Description:		Rev. Date:	Rev. by:		