

C.O.G. +335 [13 3/16]

DIN 15402
RPN 25 V
300400
y1=2-185
CE

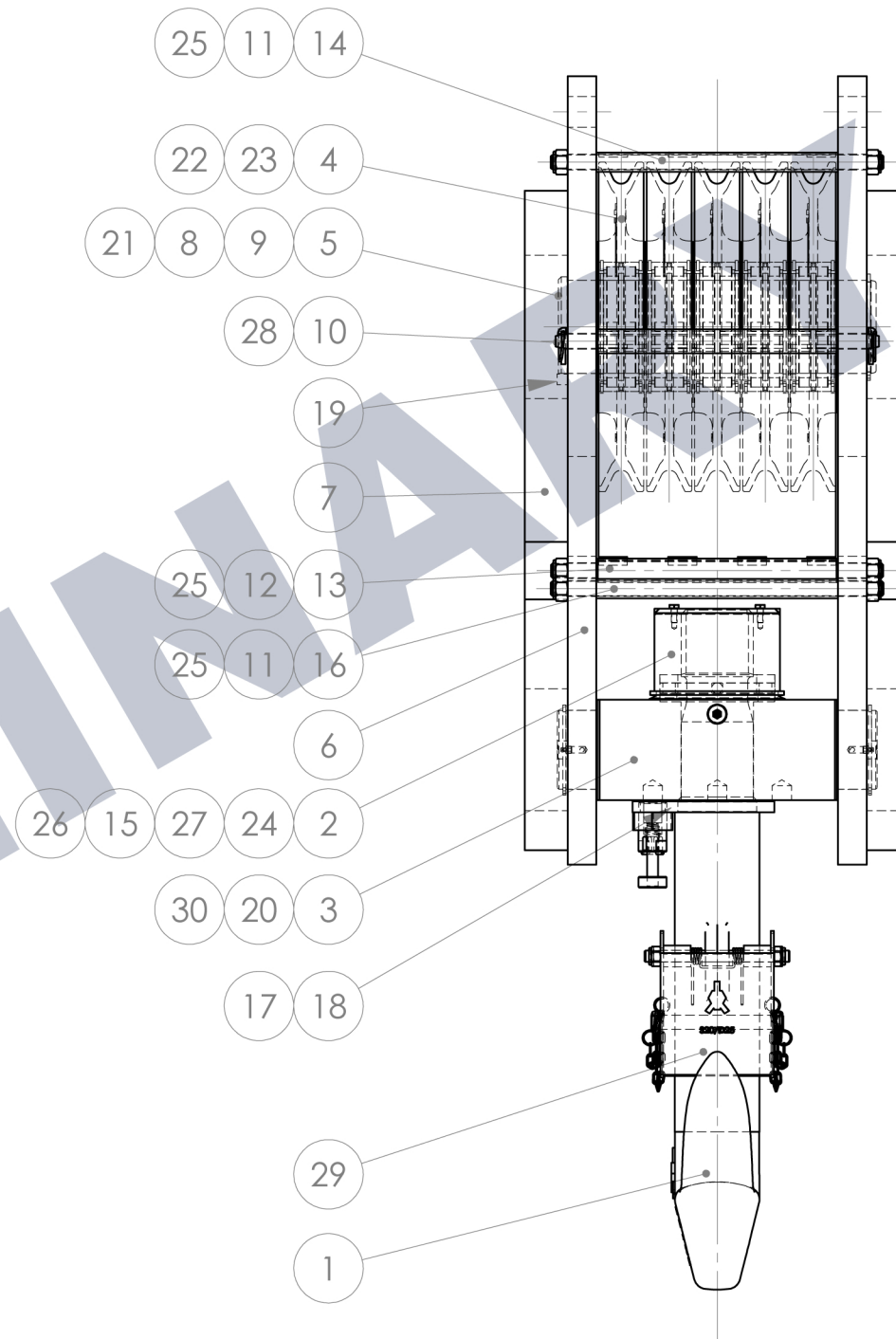
Tolerancing NEN 2731 (E) Tolerances acc. ISO 2768-mK-(E) / ISO 13920-AE	GPS - geometrical tolerancing acc. ISO 1101 Limits and fits acc. ISO 286	Surface texture acc. ISO 1302
--	---	-------------------------------

Title:
CRANEBLOCK WLL 100 Mtons [110 UStons]

Rev. Description:	Drawn: RK	Date: 30-07-13	Projection:
	Checked: RK	Material: -	
Rev. Date:	Units: mm	Theoretical weight: 1042.4 kg	Sheet: 1 / 2
	Rev. by:	Treatment: -	
Rev. Date:	Format: A3	Drawing Number:	Revision:
	Scale: 1:10	E130446	

Ropeblock code:	FRB 400.22.5.100.D	SWL/WLL:	100 Mtons [110 UStons]
Customer ID:	-	Dynamic factor:	-
Wire rope:	ø22 mm [7/8"]	Load group:	1Bm DIN15400
Hook size:	25V DIN 15402	Max. subsea depth:	-
Target weight:	1023 kg [2250 lbs]	Personnel lift SWL/WLL:	-
Design Acc.:	S.F. 4:1		

POS.	QTY.	Drawing Number	Title	Material
1	1	E130446.01	Double hook nr. 25V acc. DIN 15402	34CrNiMo6
2	1	02.25.V.81222	HOOKNUT 25V - 81222	34CrNiMo6
3	1	E130446.03	TRAVERSE FRB 400.22.5.100	S355J2N
4	5	E130446.04G	SHEAVE 400/130 R12 - MACHINING	EN-GJS-500-7 (GGG 50)
5	1	05K.130.419	SHAFT \varnothing 130 FRB 450.26.5.100	34CrNiMo6
6	2	E130446.06	CHEEKPLATE FRB 400.22.5.100	S355J2N
7	2	E130446.07R	CHEEKWEIGHT FRB 400.22.5.100	S235J0
8	4	09.149.9.17	POS.RING FRB 450.22.5.80	S235J0
9	2	09.149.9.9	POS.RING FRB 450.22.5.80	S235J0
10	2	12A.20.451	STUD FRB 450.26.5.100	AISI 304
11	4	13.20.464	BAR FRB 450.26.5.100	C22
12	2	14.25.337.463	HINGEBAR FRB 450.26.5.100	S355J0
13	2	18.400.337	REEVEGUIDE KB 400.18.5.80	S235J0
14	1	19.240.337	TOPPLATE KB 353.16.7.80	S235J0
15	1	21.175.25.8.B	RETAINER 175x25x8	S235J0
16	2	E130446.24	Spacertube FRB 400.22.5.100	S235J0
17	1	33.25.20.39	LOCKING GEAR \varnothing 25	S235J0
18	1	34.25.15.90	LOCKING PLATE HOOK 25	S355J2N
19	1	41.15.15.40	NOTCH 15x15x40mm	S235J0
20	2	50.110.4	CIRCLIP 110 A - DIN 471	Steel
21	1	50.130.4	CIRCLIP 130 A - DIN 471	Steel
22	10	52.180.4	Circlip DIN 472-180J	Steel
23	5	54.4926	Bearing SL01-4926	Steel
24	1	54.81222	Bearing 81222	Steel
25	12	55.EV.20	Nyloc Nut M20 - DIN 985	8.8
26	2	56.EV.08.20	BOLT M8x20 - DIN 933	8.8
27	1	61.170A	Dirtseal 170A	NBR
28	4	63.6	Safety pin \varnothing 6	Galvanized Steel
29	2	64.20.E.B	Heavy duty safety latch kit with locking pin for S20/D25 - DIN 15401/2	Acc. Spec.
30	3	66.10.01	Lubrication nipple M10x1 - DIN 71412	Steel



Tolerancing NEN 2731(E) Tolerances acc. ISO 2768-mK-(E) / ISO 13920-AE		GPS - geometrical tolerancing acc. ISO 1101 Limits and fits acc. ISO 286		Surface texture acc. ISO 1302	
Title: CRANEBLOCK WLL 100 Mtons [110 UStons]					
Drawn: RK		Date: 30-07-13		Projection:	
Checked: RK		Material: -			
Units: mm		Theoretical weight: 1042.4 kg			
Format: A3		Treatment: -		Sheet: 2 / 2	
Scale: 1:10		Drawing Number:		Revision:	
Rev. Description:		Rev. Date:		Rev. by:	
				E130446	
<small>THIS DOCUMENT AND ALL INFORMATION AND DATA DISCLOSED HEREIN OR HEREWITH ARE THE CONFIDENTIAL AND PROPRIETARY PROPERTY OF ROPEBLOCK AND ARE NOT TO BE USED, REPRODUCED OR DISCLOSED IN WHOLE OR IN PART BY OR TO ANYONE WITHOUT THE WRITTEN PERMISSION OF ROPEBLOCK.</small>					

Timestamp: 8:17:34