

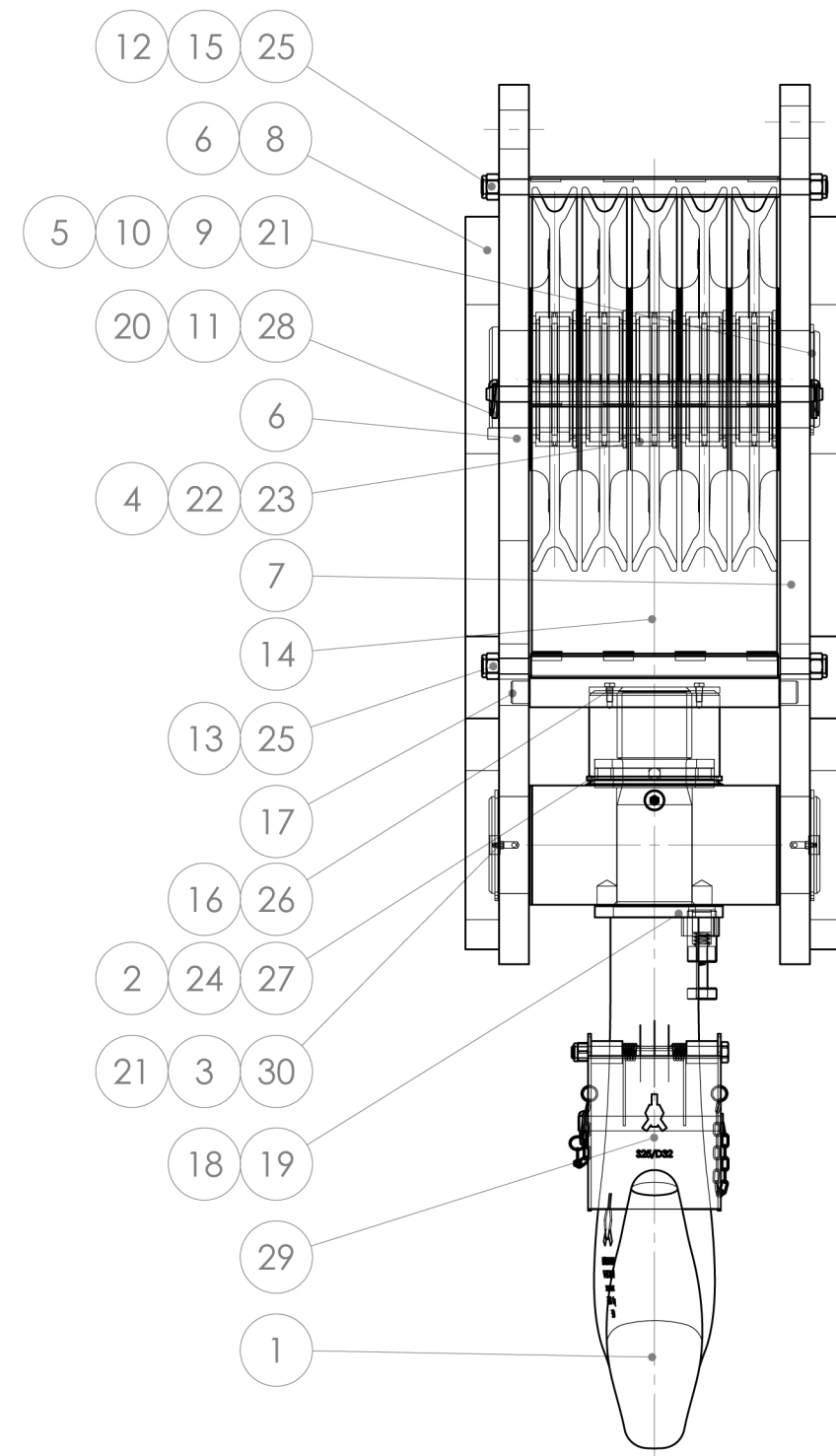
Tolerancing NEN 2731 (E) Tolerances acc. ISO 2768-mK-(E) / ISO 13920-AE	GPS - geometrical tolerancing acc. ISO 1101 Limits and fits acc. ISO 286	Surface texture acc. ISO 1302
--	---	-------------------------------

Title:
CRANEBLOCK WLL 100 Mtons [110 UStons]

Ropeblock code:	FRB 450.22.5.100.E.B	SWL/WLL:	100 Mtons [110 UStons]
Customer ID:	-	Dynamic factor:	-
Wire rope:	ø 22 mm [7/8"]	Load group:	1Bm DIN 15400
Hook size:	25V acc. DIN 15401	Design Acc.:	RB Standard, S.F. 4:1
Target weight:	1140 kg [2510 lbs]	Personnel lift SWL/WLL:	-

Drawn: RK	Date: 05-05-11	Projection:
Checked:	Material: -	
Units: mm	Theoretical weight: 1129.3 kg	Sheet: 1 / 2
Format: A3	Treatment: -	
Scale: 1:10	Drawing Number:	Revision: 00
Rev. Description:	Rev. Date: Rev. by:	
		R111413-15

POS.	QTY.	Drawing Number	Title	Material
1	1	01.25.V.E.293.B	Single hook nr. 25V acc. DIN 15401	34CrNiMo6
2	1	02.25.V.81222	HOOKNUT 25V - 81222	34CrNiMo6
3	1	03.160.101.334.43.B	TRAVERSE FRB 450.26.5.100	S355J2N
4	5	04G.450.4926.12	SHEAVE 450/130 R12 - MACHINING	GGG 50
5	1	05K.130.419	SHAFT ø130 FRB 450.26.5.100	34CrNiMo6
6	1	06.450.40.100	CHEEKPLATE FRB 450.26.5.100	S355J2N
7	1	R111413-15.06	CHEEKPLATE FRB 450.22.5.100	S355J2N
8	2	07R.450.45.100	CHEEKWEIGHT FRB 450.26.5.100	S235J0
9	2	09.149.9.9	POS.RING FRB 450.22.5.80	S235J0
10	4	09.149.9.17	POS.RING FRB 450.22.5.80	S235J0
11	2	12A.20.451	STUD FRB 450.26.5.100	AISI 304
12	2	13.20.464	BAR FRB 450.26.5.100	C22
13	2	14.25.337.463	HINGEBAR FRB 450.26.5.100	S355J0
14	2	18.450.337	REEVEGUIDE KB 450.19.3.50	S235J0
15	1	19.280.337	TOPPLATE FRB 450.26.4.80	S235J0
16	1	21.175.25.8.B	RETAINER 175x25x8	S235J0
17	2	25.40.385	PROTECTOR-SHAFT KB 400.18.5.80	C22
18	1	33.25.20.39	LOCKING GEAR ø25	S235J0
19	1	34.25.15.90	LOCKING PLATE HOOK 25	S355J2N
20	1	41.15.15.40	NOTCH 15x15x40mm	S235J0
21	3	50.130.4	CIRCLIP 130 A - DIN 471	Steel
22	5	52.180.4	Circlip DIN 472-180J	Steel
23	5	54.4926	Bearing SL01-4926	Steel
24	1	54.81222	Bearing 81222	Steel
25	8	55.EV.20	Nyloc Nut M20 - DIN 985	8.8
26	2	56.EV.08.20	BOLT M8x20 - DIN 933	8.8
27	1	61.170A	Dirtseal 170A	NBR
28	4	63.6	Safety pin ø6	Galvanized Steel
29	1	64.25.E.B	Heavy duty safety latch kit for S25/D32 - DIN 15401/2	Acc. Spec.
30	3	66.10.01	Lubrication nipple M10x1 - DIN 71412	Steel



Tolerancing NEN 2731 (E) Tolerances acc. ISO 2768-mK-(E) / ISO 13920-AE		GPS - geometrical tolerancing acc. ISO 1101 Limits and fits acc. ISO 286		Surface texture acc. ISO 1302	
Title: CRANEBLOCK WLL 100 Mtons [110 UStons]					
Drawn: RK		Date: 05-05-11		Projection: 	
Checked:		Material: -		Sheet: 2 / 2	
Units: mm		Weight: 1129.3 kg			
Format: A3		Treatment: -		Revision: 00	
Scale: 1:10		Drawing Number: R111413-15			
Rev. Description:		Rev. Date:	Rev. by:		