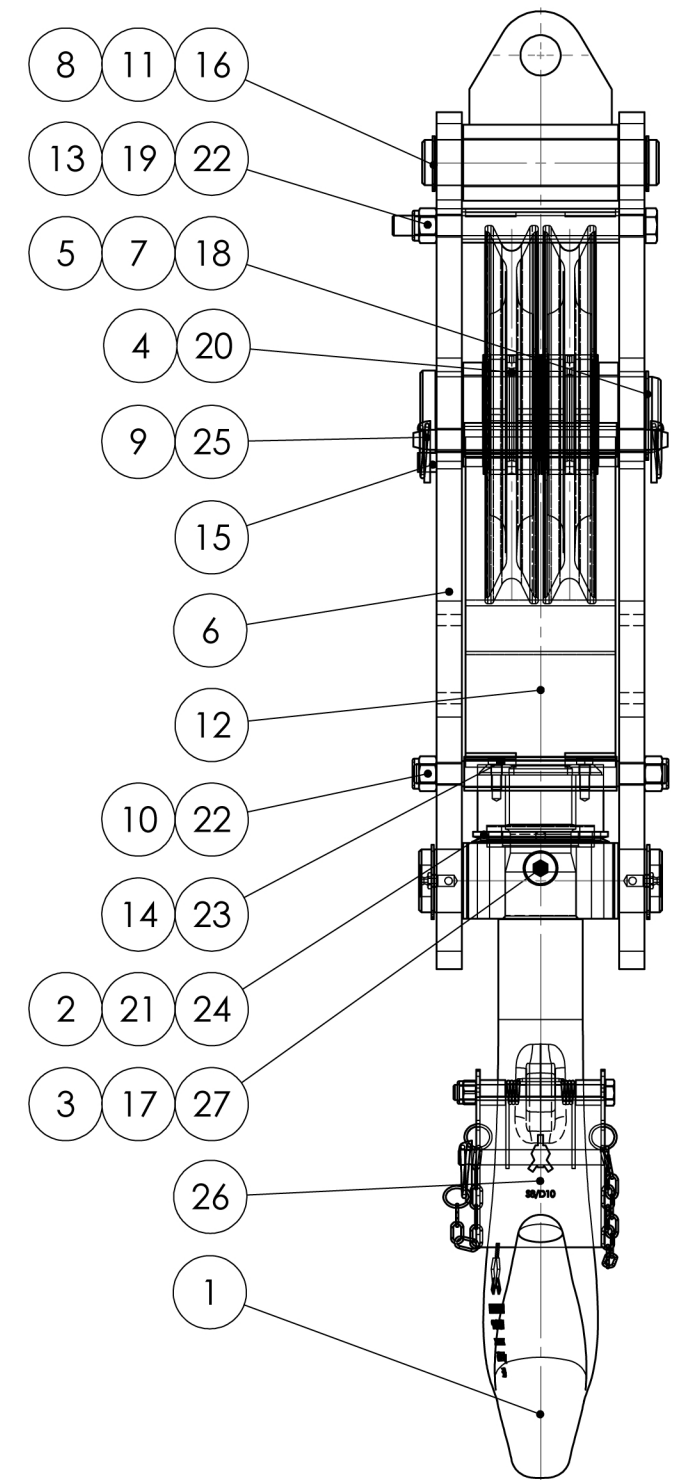
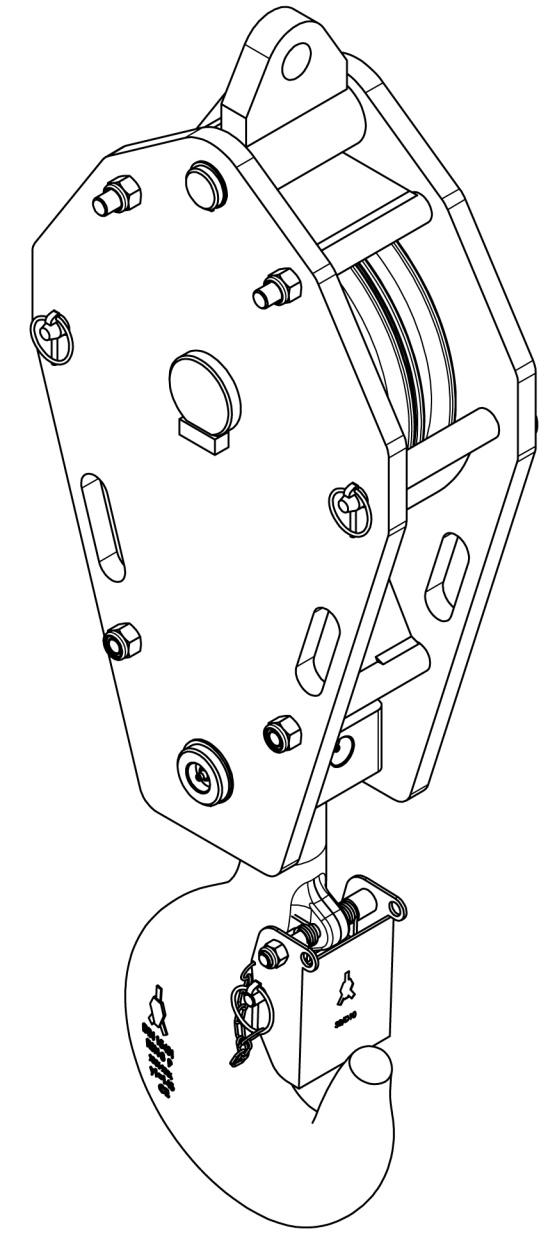
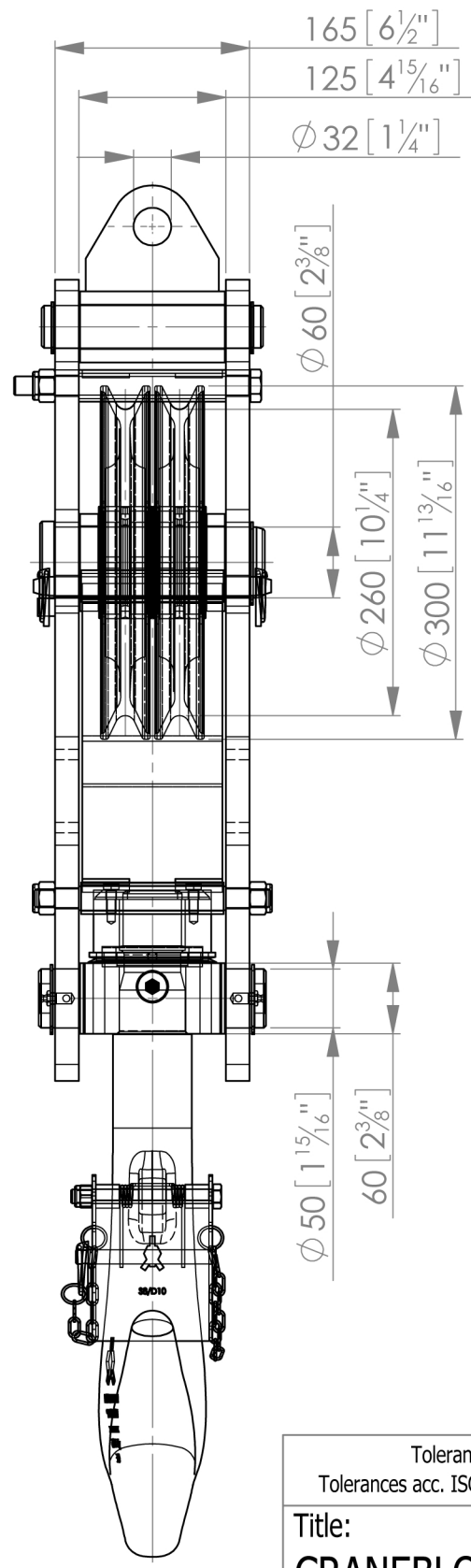
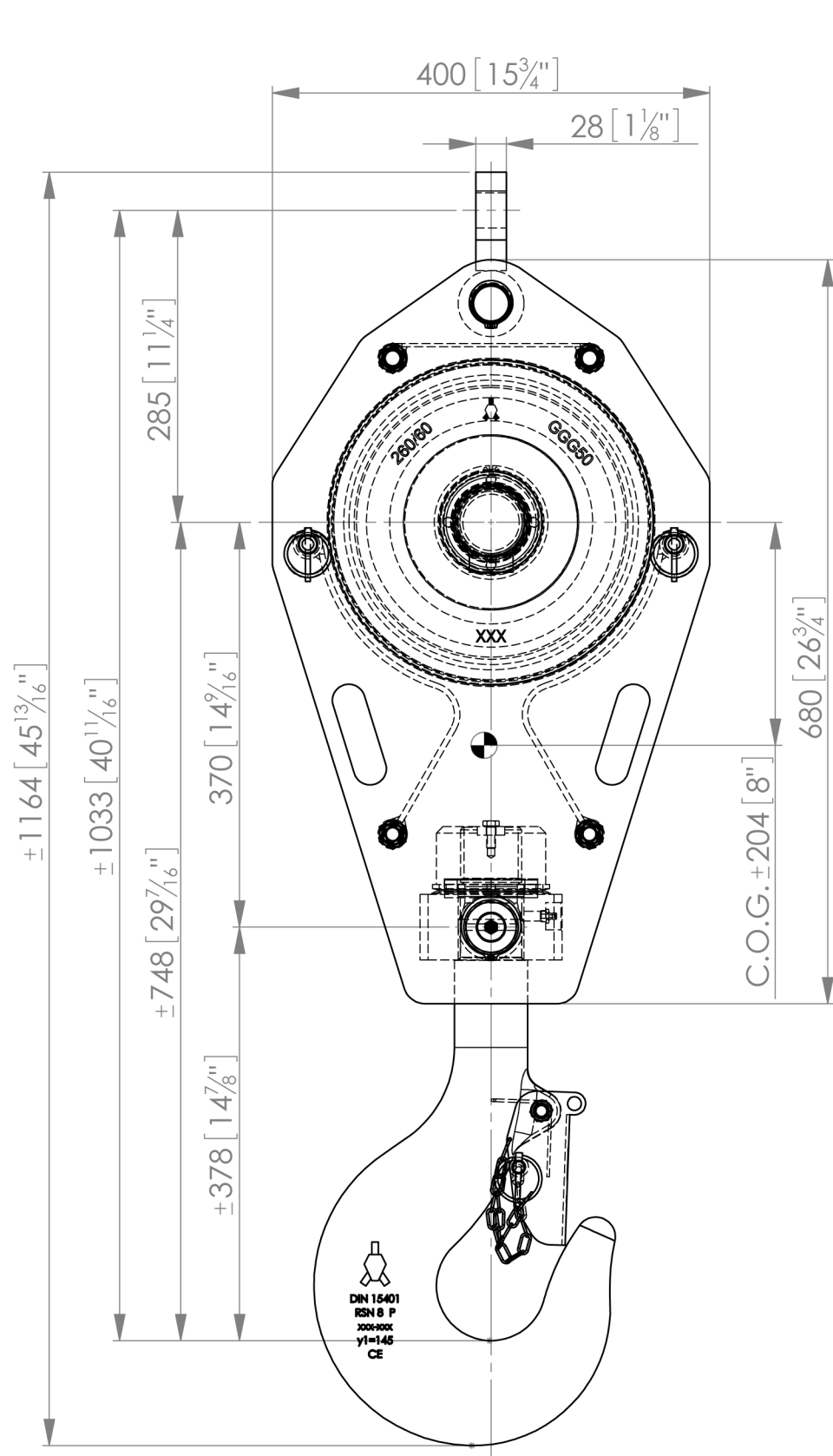


POS.	QTY.	Drawing Number	Title	Material
1	1	01.8.P.E.122	Single hook nr. 8 P acc. DIN 15401	StE 355
2	1	02.8.P.81112	HOOKNUT 8P - 81112	S355J2N
3	1	03.60.56.123.23	TRAVERSE KB 450.19.1.20	S355J2N
4	2	04G.260.5012.8,5	SHEAVE 260/60 R8,5 - MACHINING	GGG 50
5	1	05K.60.167	SHAFT ø60 FRB 260.16.1.16	34CrNiMo6
6	2	06.260.20.16	CHEEKPLATE KB 260.16.1.16	S355J2N (2)
7	2	09.82.10.15,5	POS.RING SRB 260.14.2.16	S235J0
8	1	11.60.123.28.32	BECKET SRB 285.1.10	S355J2N
9	2	12A.16.202	STUD KB 285.13.1.10	AISI 304
10	2	14.20.125.201	HINGEBAR KB 260.13.1.10	S355J0
11	1	15.36.188	BECKETPIN KB 450.19.1.18	C22
12	2	18.260.125.C	REEVEGUIDE KB 260.13.1.10	S235J0
13	1	19.180.125	TOPPLATE KB 280.12.3.20	S235J0
14	1	21.100.25.8	RETAINER 100x25x8	S235J0
15	1	41.15.15.40	NOTCH 15x15x40mm	S235J0
16	2	50.36.2	CIRCLIP 36 A - DIN 471	Steel
17	2	50.50.2	CIRCLIP 50 A - DIN 471	Steel
18	1	50.60.2	CIRCLIP 60 A - DIN 471	Steel
19	2	51.EV.16.200	BOLT M16x200 - DIN 931	8.8
20	2	54.5012PP	Bearing SL04 5012 PP	Steel
21	1	54.81112	Bearing 81112	Steel
22	6	55.EV.16	Nyloc Nut M16 - DIN 985	8.8
23	2	56.EV.08.20	BOLT M8x20 - DIN 933	8.8
24	1	61.95A	Dirtseal 95A	NBR
25	4	63.4	Safety pin ø4	Steel
26	1	64.8.E.B	Heavy duty safety latch kit for S8/D10 - DIN 15401/2	Acc. Spec.
27	3	66.10.01	Lubrication nipple M10x1 - DIN 71412	Steel



Tolerancing NEN 2731(E) Tolerances acc. ISO 2768-mK-(E) / ISO 13920-AE		GPS - geometrical tolerancing acc. ISO 1101 Limits and fits acc. ISO 286		Surface texture acc. ISO 1302	
Title: CRANEBLOCK WLL 20 Mtons [22 UStons]					
Drawn: LD		Date: 10-02-11		Projection: 	
Checked: JE		Material: -		Sheet: 2 / 2	
Units: mm		Weight: 129.2 kg			
Format: A3		Treatment: -		Revision: 00	
Scale: 1:6		Drawing Number: FRB 260.16.2.20.E			
Rev. Description:		Rev. Date:	Rev. by:		



DIN 15401
RSN 8 P
xxx-xxx
y1=145
CE

Tolerancing NEN 2731(E)
Tolerances acc. ISO 2768-mK-(E) / ISO 13920-AE

GPS - geometrical tolerancing acc. ISO 1101
Limits and fits acc. ISO 286

Surface texture acc. ISO 1302

Title:
CRANEBLOCK WLL 20 Mtons [22 UStons]

Rev. Description:	Drawn: LD	Date: 10-02-11	Projection:
	Checked: JE	Material: -	
	Units: mm	Theoretical weight: 129.2 kg	Sheet: 1 / 2
	Format: A3	Treatment: -	
Scale: 1:6	Drawing Number:	Revision:	
Rev. Date:	Rev. by:	FRB 260.16.2.20.E	00

Ropeblock code:	FRB 260.16.2.20.E	SWL/WLL:	20 Mtons [22 Ustons]
Customer ID:	-	Dynamic factor:	-
Wire rope:	ø 16 mm [5/8"]	Load group:	1Bm DIN 15400
Hook size:	8P acc. DIN 15401	Design Acc.:	RB Standard, S.F. 4:1
Target weight:	± 130 kg [± 285 lbs]	Personnel lift SWL/WLL:	-